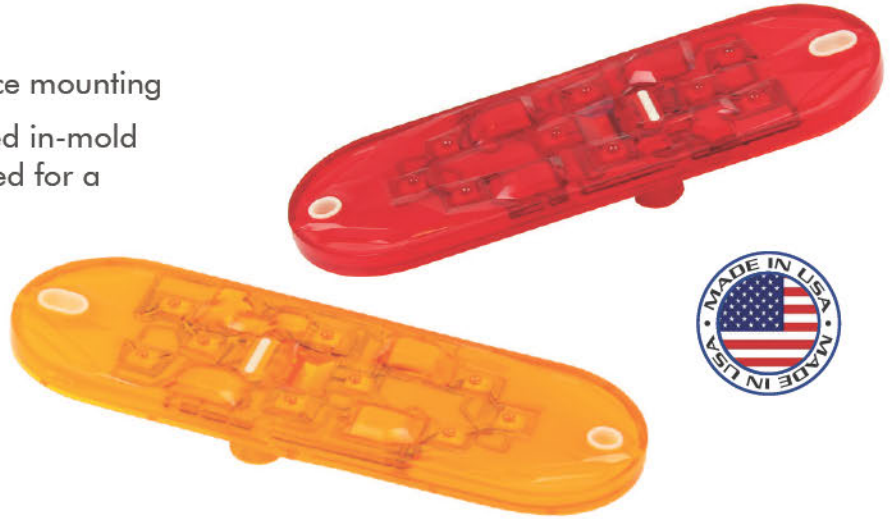


## 6.5" OVAL SIDE TURN/MARKER & STOP-TAIL-TURN LIGHTS

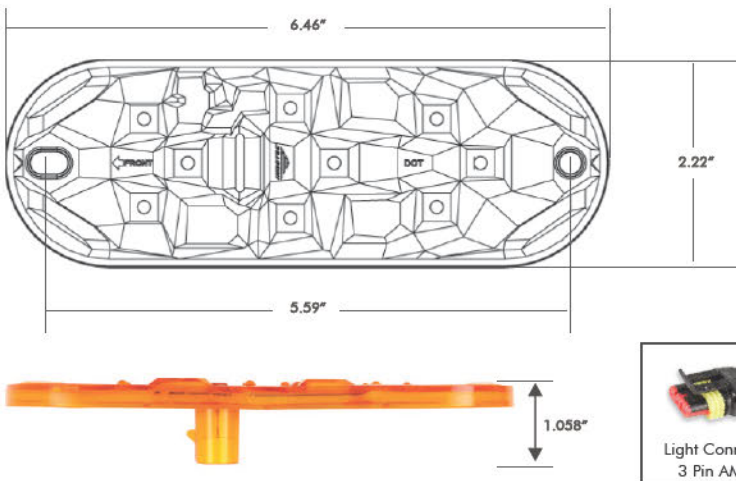
- Streamline thin profile for convenient surface mounting
- Utilizes BOARDFREE® technology; a patented in-mold LED lighting solution that eliminates the need for a printed circuit board
- No printed circuit board means:
  - No hazardous waste
  - Optimal heat management which leads to a longer life expectancy



<b>51-60302</b>	6.5" oval stop-tail-turn light, red	Qty. 1
<b>51-60302-16</b>	6.5" oval stop-tail-turn light, red	Qty. 16
<b>51-60303</b>	6.5" oval side turn/marker light, amber	Qty. 1
<b>51-60303-16</b>	6.5" oval side turn/marker light, amber	Qty. 16

- Superior durability and impact resistance
- Resistance to corrosion, harsh chemicals & UV exposure
- ABS and acrylic construction
- BOARDFREE® technology with 9 diodes
- Sealed and greased integrated male 3 pin AMP connector
- Side turn light meets SAE I6, P2 and P3 for turn signals and side markers
- Stop-tail-turn light meets SAE S2 and T2 specifications
- Low stress mounting holes
- Optional stainless steel trim ring available (P/N: 51-60904)

### Specifications



Color	Red	Amber
Voltage	12V	12V
Current	.19A / .04A	.19A / .04A
Connector	3 Pin AMP	3 Pin AMP
Mounting Holes (2)	0.2246" dia.	0.2246" dia.
Material	ABS / PMMA	ABS / PMMA
SAE Specifications	S2 & T2	I6, P2, P3
Number of LEDs	9	9

For new and innovative products, visit [www.phillipsind.com](http://www.phillipsind.com)

Manufactured for exclusive distribution by Phillips Industries - A California Corporation

12070 Burke Street, Santa Fe Springs, CA 90670

800.423.4512 Fax 800.597.7757

BOARDFREE® is a registered trademark of Innotec Group