

PERMALITE™ XB LED DOME LAMPS

- Up to two times brighter than the competition
- Fits almost any application with a slim, light weight design and universal mounting holes
- Available with PIR motion sensor – Light automatically turns on and off
- Consistent light output throughout the operating voltage range



PERMALITE™ XB High Efficiency LED with PIR Motion Sensor



51-22221 Dome lamp, 20 LEDs, 2200 lumens, aluminum housing, PIR motion sensor, individual retail box

51-22224 Dome lamp, 20 LEDs, 2200 lumens, aluminum housing, PIR motion sensor, bulk pack, 6 pcs.

- Passive infrared (PIR) motion sensor
 - 5 minute shut off timer (after activity stops)
 - Angle of movement detection 100° at 16.4 ft max
- 20 LEDs
- 2200 lumens
- Multi-volt: runs on a 12 or 24 volt system
- Operating voltage: 10V – 36V DC
- Current AMP draw: 1.5A at 12V
- Reverse polarity protection
- Designed for extreme temperatures: -40°F to 176°F (-40°C to 80°C)
- Strong aluminum housing with powder coated finish and textured clear polycarbonate lens
- Silicone seal protects components under lens from moisture build up
- 14 ga. wires with .180 male bullet connectors protected by an additional layer of STA-DRY® jacketing to guard against corrosion

PERMALITE™ XB High Efficiency LED



51-22211 Dome lamp, 20 LEDs, 2200 lumens, aluminum housing, individual retail box

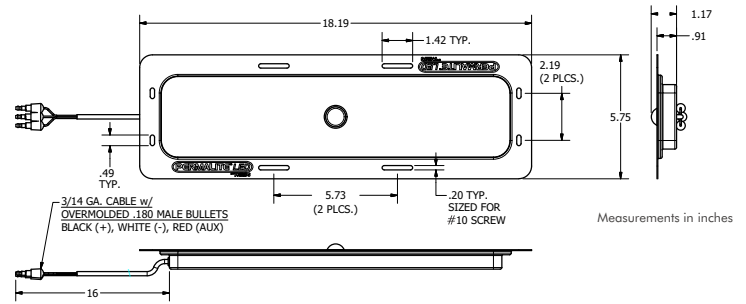
51-22214 Dome lamp, 20 LEDs, 2200 lumens, aluminum housing, bulk pack, 6 pcs.

- 20 LEDs
- 2200 lumens
- Multi-volt: runs on a 12 or 24 volt system
- Operating voltage: 10V – 36V DC
- Current AMP draw: 1.5A at 12V
- Reverse polarity protection
- Designed for extreme temperatures: -40°F to 176°F (-40°C to 80°C)
- Strong aluminum housing with powder coated finish and textured clear polycarbonate lens
- Silicone seal protects components under lens from moisture build up
- 14 ga. wires with .180 male bullet connectors protected by an additional layer of STA-DRY® jacketing to guard against corrosion

For new and innovative products, visit www.phillipsind.com

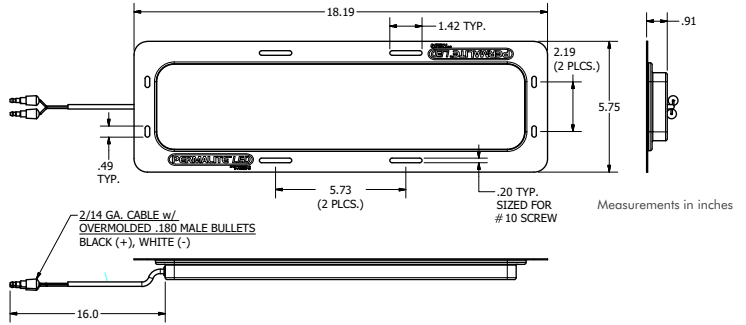
PERMALITE™ XB High Efficiency LED with PIR Motion Sensor

A 51-22221 / 51-22224



PERMALITE™ XB High Efficiency LED

B 51-22211 / 51-22214



Specifications

A 51-22221/51-22224

B 51-22211/51-22214

	A 51-22221/51-22224	B 51-22211/51-22214
Operating Voltage	10V - 36V DC	10V - 36V DC
Multi-volt 12V & 24V (10V-36V)	Yes	Yes
Current Draw (at 12V)	1.5A	1.5A
Operating Temperature	-40°F to 176°F (-40°C to 80°C)	-40°F to 176°F (-40°C to 80°C)
IP Rating	IP65	IP65
Weight	1.20 lbs	1.16 lbs
Dimensions	18.19 in x 5.75 in x 1.17 in (46.21 cm x 14.61 cm x 2.97 cm)	18.19 in x 5.75 in x .91 in (46.21 cm x 14.61 cm x 2.31 cm)
Lumens	2200	2200
Lens	Textured Clear Polycarbonate	Textured Clear Polycarbonate
Housing Color	Powder Coated White	Powder Coated White
Housing Material	Aluminum	Aluminum
LED Warranty	3 Years	3 Years
Lighting Source	20 LEDs	20 LEDs
Reverse Polarity Protection	Yes	Yes
Universal Mounting Holes	Yes	Yes
STA-DRY® Jacketing Corrosion Protection for 14 ga. Wires	Yes	Yes
.180 male bullet connectors	Yes	Yes

A Passive Infrared (PIR) Motion Sensor (51-22221/51-22224)

Detection Angle	100°
Detection Distance	Max 16.4 ft (5m)
Shut Off Timer (after activity stops)	5 Minutes

For new and innovative products, visit www.phillipsind.com

12070 Burke Street, Santa Fe Springs, CA 90670
800.423.4512 Fax 800.597.7757

PHILLIPS