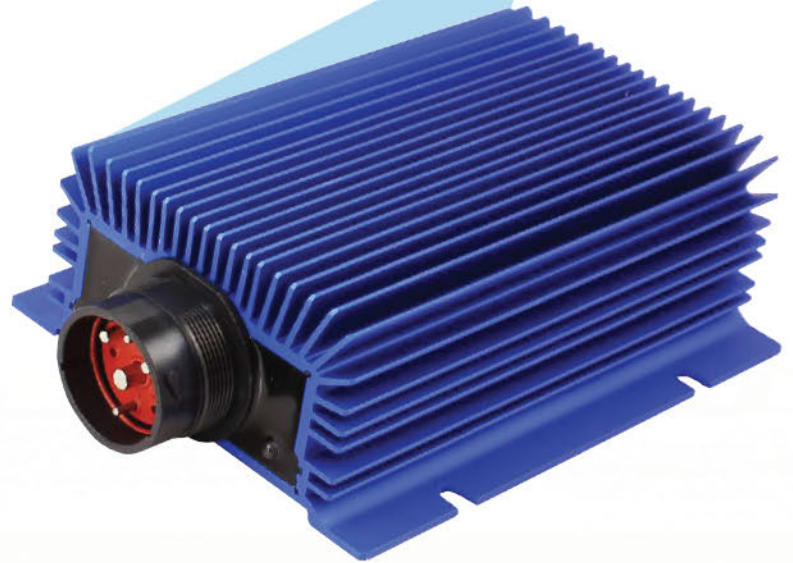
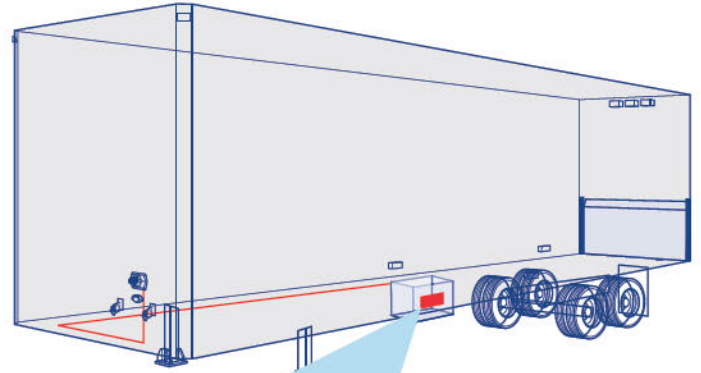


STA-CHARGE™ Battery Charger

- Maximizes the liftgate or auxiliary battery efficiency with a faster charge!*
- Regulates over-charging of trailer batteries
- Prevents 12V truck battery from becoming so low it won't start



60-3600 STA-CHARGE™ battery charger

- For 12V liftgate/load batteries
- Input voltage: 8V – 16V
- Output voltage: 14.4V**
- Maximum input current: 27A
- Maximum output current: 23A
- Automatically adjusts output voltage depending on temperature
- Environmentally sealed connector
- Anodized cooling heatsink
- Visual LED indicator shows status of charging
 - Flashing red: Charging is OFF
 - Solid green: Charging is ON
- Phillips patented Lock Out feature: stops charging batteries when brakes are pressed
 - When tied to the BLUE circuit, this ensures all power is available during an ABS event
- Standard mounting pattern
- Must be used with a Phillips STA-CHARGE™ harness or available harness adapters (see back for more details)

*When paired with a Phillips STA-CHARGE™ harness, your STA-CHARGE™ battery charging system will ensure it is being charged as efficiently as possible.

**Voltage is temperature compensated so that in cold temperature the batteries are charged at a higher voltage.

For new and innovative products, visit www.phillipsind.com

For more information or to order call 800.432.4512

STA-CHARGE™ Harness

When paired with a Phillips STA-CHARGE™ harness, your STA-CHARGE™ battery charging system will ensure it is being charged as efficiently as possible. Some systems use 10 ga. wire that will increase the time it takes to charge the batteries, but with the STA-CHARGE™ harness' 8 ga. wires, this will allow for a faster charge rate, and increase the number of lifts you can get out of your liftgate sooner, and maximize efficiency.



60-3656-540 45' STA-CHARGE™ harness

- Provides power from the blue auxiliary wire, inside the 7-way nosebox, to the STA-CHARGE™ battery charger which powers the liftgate batteries
- Includes fuses for electrical equipment protection - Protected with a 40amp fuse on the blue aux wire and 5amp fuse on the red brake wire (both inside the nosebox), and an additional 40amp fuse located between the STA-CHARGE™ and liftgate batteries
- Other lengths are available
- Contact your sales representative for more information

Harness Adapters

TRAIL-CHARGER™ Harness to STA-CHARGE™ Assembly



60-3651 Harness Adapter – TRAIL-CHARGER™ harness to STA-CHARGE™ assembly

- For retrofitting a STA-CHARGE™ with existing TRAIL-CHARGER™ harness

STA-CHARGE™ Harness to TRAIL-CHARGER™ Assembly



60-3652 Harness Adapter – STA-CHARGE™ harness to TRAIL-CHARGER™ assembly

- For retrofitting a new STA-CHARGE™ harness with an existing TRAIL-CHARGER™ unit

For new and innovative products, visit www.phillipsind.com

12070 Burke Street, Santa Fe Springs, CA 90670
800.423.4512 Fax 800.597.7757

PHILLIPS